

Thermostat jackets JC 10, JC 16, JC 26

The JC thermostat jackets are available for all sizes of Pharmacia C-series columns with the exception of the 10 cm long C 10 column. They enable accurate temperature control to be applied to the chromatography column and allow moderately heat labile substances to be run at room temperature with improved reproducibility.

Unpacking

Please check the delivery against this list: 1 thermostat jacket tube with inlet and outlet connectors, 2 thermostat jacket end piece rings, 2 connectors.

Description

The thermostat jacket consists of three main parts; the tube with the water inlet and outlet connectors and the two end pieces. The material of the different parts of the thermostat jackets is indicated in the spare part list below.

Resistance

The thermostat jacket should only be used with water. Acrylic plastic is not resistant to alcohols, ethylene glycol or other organic solvents. The jackets may be used from 0-60°C and at pressures up to 0.1 MPa (1 bar). They should not be autoclaved.

Cleaning

Suitable cleaning agents are soapy water and laboratory detergents.

Instructions

Numbers refer to the exploded diagram below.

Mounting of the thermostat jacket

1. Dismantle the columns completely (refer to the column instructions) and remove the thermostat jacket end pieces.
2. Place one friction ring (2) approx. 10 mm from the end of the glass tube with the cone facing the centre of the tube. Use the friction rings supplied with the column.
3. Insert the glass tube into the thermostat jacket and place the other friction ring on the other end of the glass tube with the cone against the jacket.
4. Make sure that the distance from the friction ring to the end of the glass tube is equal at both ends.
5. Mount the jacket end pieces (1) on both ends using the ribbed section thread only. Tighten them firmly.
6. Again check that the glass tube is symmetrically positioned in the jacket.
7. Mount the column end pieces or adaptors needed.

Replacing the water inlet and outlet connectors

1. Dismantle the jacket.
2. Unscrew the tubing connector (B) from the nipple (A).
3. Remove the tubing connector, the nipple and the O-ring.
4. Reassemble the connectors reversing the procedure described above.



Spare parts

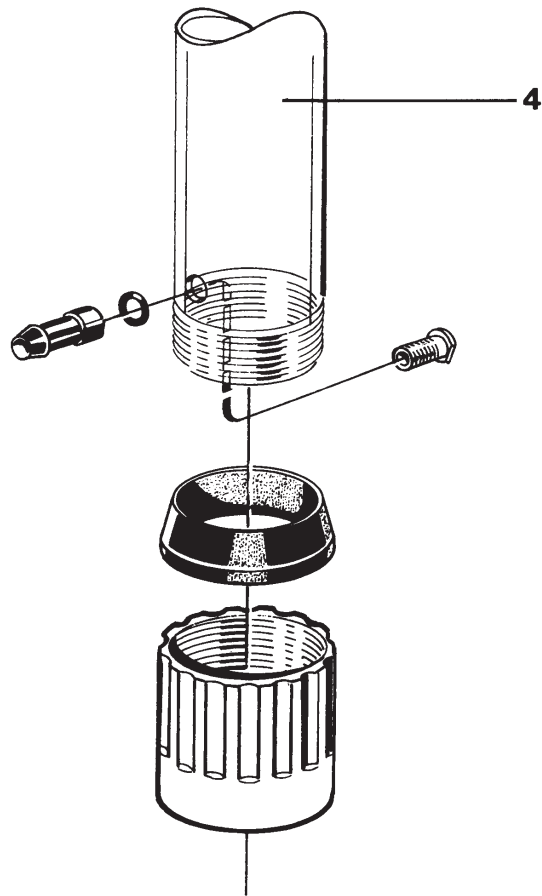
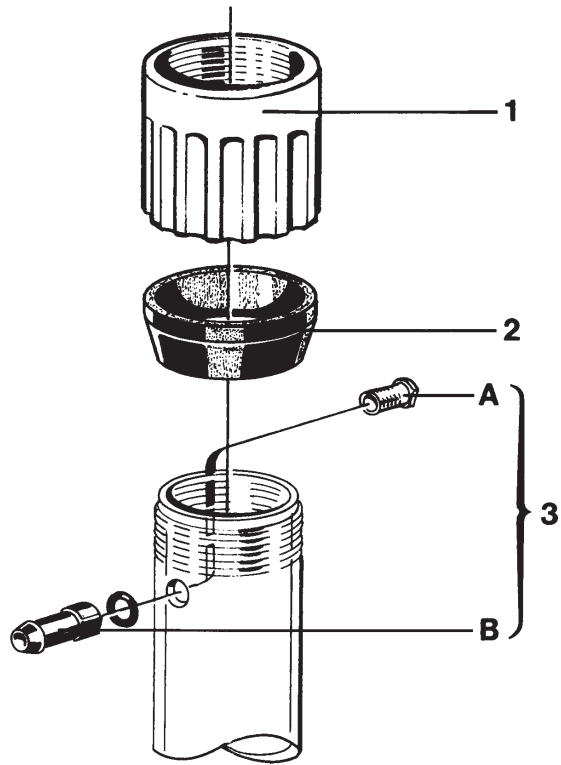
The exploded diagram below shows the position of the different parts of the jacket. For replacement please order according to the spare part list below using the appropriate code number. Note that the code numbers for all these thermostat jacket widths are included in the same table.

Code No. Item No.	Designation	JC 10	JC 16	JC 26	Material	No. Per pack
1	Jacket end pieces	19-5034-01	19-5134-01	19-5234-01	A	1
2	Friction ring	19-5020-01	19-5120-01	19-5220-01	C	5
3	Jacket connector	19-5251-01	19-5251-01	19-5251-01	A*	2
4	Jacket tube with two connectors					
	length 20 cm	19-5038-01	19-5145-01		B*	1
	40 cm	19-5039-01	19-5141-01	19-1539-01	B*	1
	70 cm	-	19-5142-01	19-5240-01	B*	1
	100 cm	-	19-5143-01	19-5241-01	B*	1

* Material of main component

Material

- A Polypropylene (glass fibre reinforced)
- B Acrylic plastic
- C Silicone rubber



www.gelifesciences.com

GE Healthcare Bio-Sciences AB

Björkgatan 30

751 84 Uppsala

Sweden

GE, imagination at work, and GE monogram are trademarks of General Electric Company.

© 2007 General Electric Company – All rights reserved.

All goods and services are sold subject to the terms and conditions of sale of the company within GE Healthcare which supplies them. A copy of these terms and conditions is available on request. Contact your local GE Healthcare representative for the most current information

GE Healthcare Bio-Sciences AB
Björkgatan 30
SE-751 84 Uppsala
Sweden

GE Healthcare Europe GmbH
Munzinger Strasse 5
D-79111 Freiburg
Germany

GE Healthcare UK Limited
Amersham Place
Little Chalfont
Buckinghamshire, HP7 9NA
UK

GE Healthcare Bio-Sciences Corp.
800 Centennial Avenue
P.O. Box 1327
Piscataway, NJ 08855-1327
USA

GE Healthcare Bio-Sciences KK
Sanken Bldg. 3-25-1, Hyakunincho
Shinjuku-ku, Tokyo 169-0073
Japan

Asia Pacific Tel +85 65 62751830 Fax +85 65 62751829 • Australasia Tel +61 2 8820 8299 Fax +61 2 8820 8200 • Austria Tel 01 /57606 1613 Fax 01 /57606 1614 • Belgium Tel 0800 73 890 Fax 02 416 8206 • Canada Tel 1 800 463 5800 Fax 1 800 567 1008 • Central & East Europe Tel +43 1 972 720 Fax +43 1 972 722 750 • Denmark Tel +45 70 25 24 50 Fax +45 45 16 2424 • Eire Tel 1 800 709992 Fax +44 1494 542010 • Finland & Baltics Tel +358 9 512 3940 Fax +358 9 512 39439 • France Tel 01 69 35 67 00 Fax 01 69 41 98 77 • Germany Tel 0800 9080 711 Fax 0800 9080 712 • Greater China Tel +852 2100 6300 Fax +852 2100 6338 • Italy Tel 02 26001 320 Fax 02 26001 399 • Japan Tel 81 3 5331 9336 Fax 81 3 5331 9370 • Korea Tel 82 2 6201 3700 Fax 82 2 6201 3803 • Latin America Tel +55 11 3933 7300 Fax +55 11 3933 7304 • Middle East & Africa Tel +30 210 96 00 687 Fax +30 210 96 00 693 • Netherlands Tel 0800-82 82 82 1 Fax 0800-82 82 82 4 • Norway Tel +47 815 65 777 Fax +47 815 65 666 • Portugal Tel 21 417 7035 Fax 21 417 3184 • Russia, CIS & NIS Tel +7 495 956 5177 Fax +7 495 956 5176 • Spain Tel 902 11 72 65 Fax 935 94 49 65 • Sweden Tel 018 612 1900 Fax 018 612 1910 • Switzerland Tel 0848 8028 10 Fax 0848 8028 11 • UK Tel 0800 515 313 Fax 0800 616 927 • USA Tel +1 800 526 3593 Fax +1 877 295 8102



imagination at work